

aluplast[®] - Specialist for window and door systems

IDEAL

MORE LIGHT - MORE LIVING COMFORT

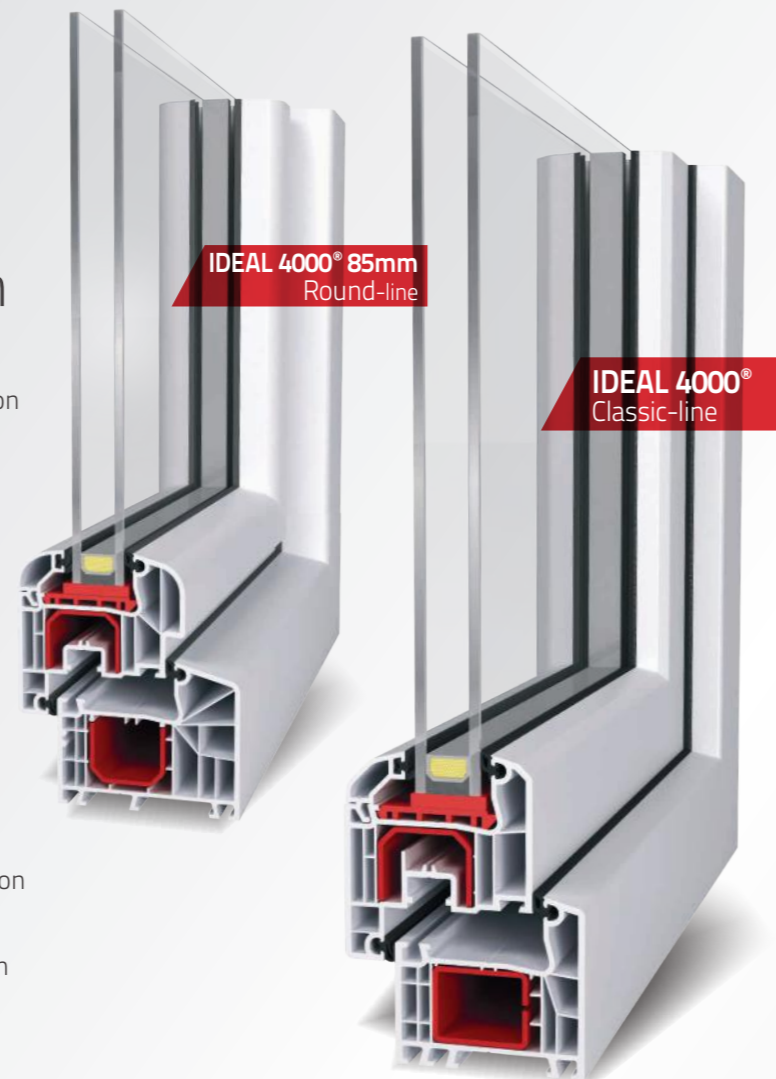


MORE LIGHT, MORE LIVING COMFORT

IDEAL 4000®

profile depth 70/85 mm

- thermal insulation of the standard combination $U_f = 1.3 \text{ W/m}^2\text{K}$
- backstop gasket system with two sealing levels
- glazing thickness up to 41 mm
- design variety in the sash (classic-line recessed | soft-line semi-recessed | round-line recessed | round-line semi-recessed)
- tested burglar resistance class RC2
- concealed drainage is possible
- excellent sound insulation up to noise insulation class IV
- 5-6 chamber system as standard combination
- available in numerous decor variations
- available with aluskin® aluminium shells

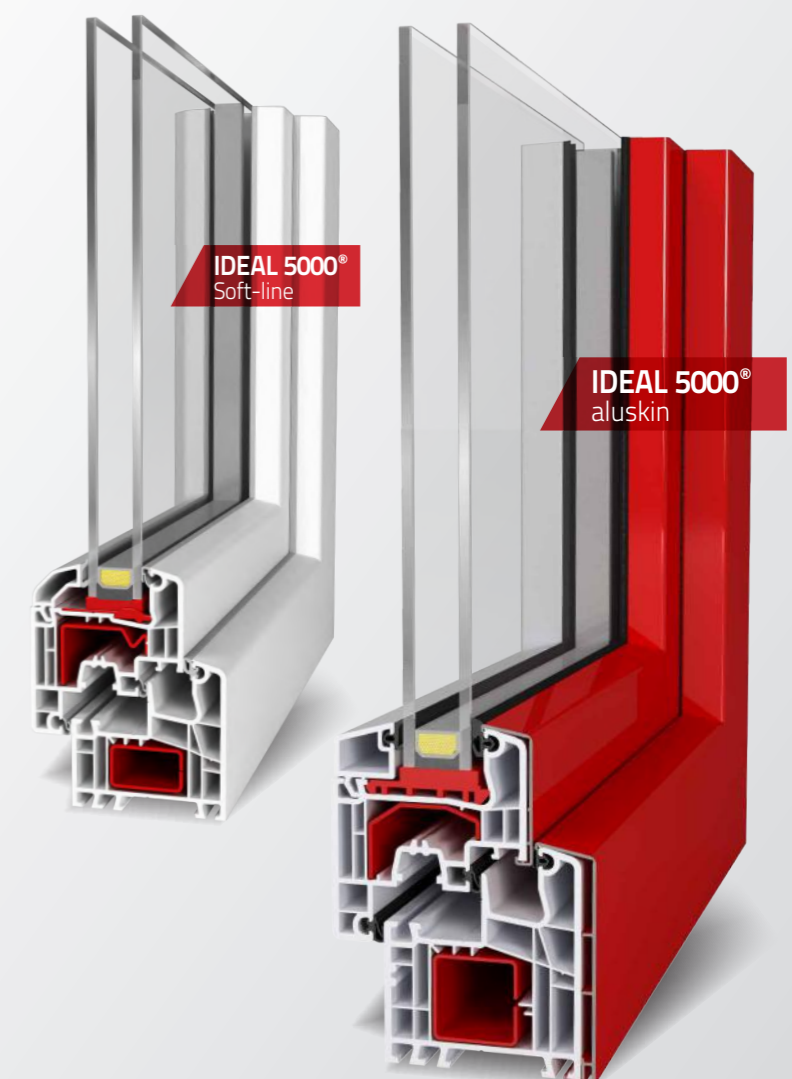


BREAK-IN PROTECTION AND SAFETY

IDEAL 5000®

profile depth 70 mm

- U_f value = $1.2 \text{ W/m}^2\text{K}$
- centre gasket system with three sealing levels for increased burglar resistance
- glazing thickness up to 41 mm
- design variety in the sash (classic-line recessed | classic-line semi-recessed | soft-line semi-recessed | round-line semi-recessed)
- tested burglar resistance class RC2
- concealed drainage is possible
- excellent sound insulation up to noise insulation class IV
- only available in decor variations as well as with aluskin aluminium shells



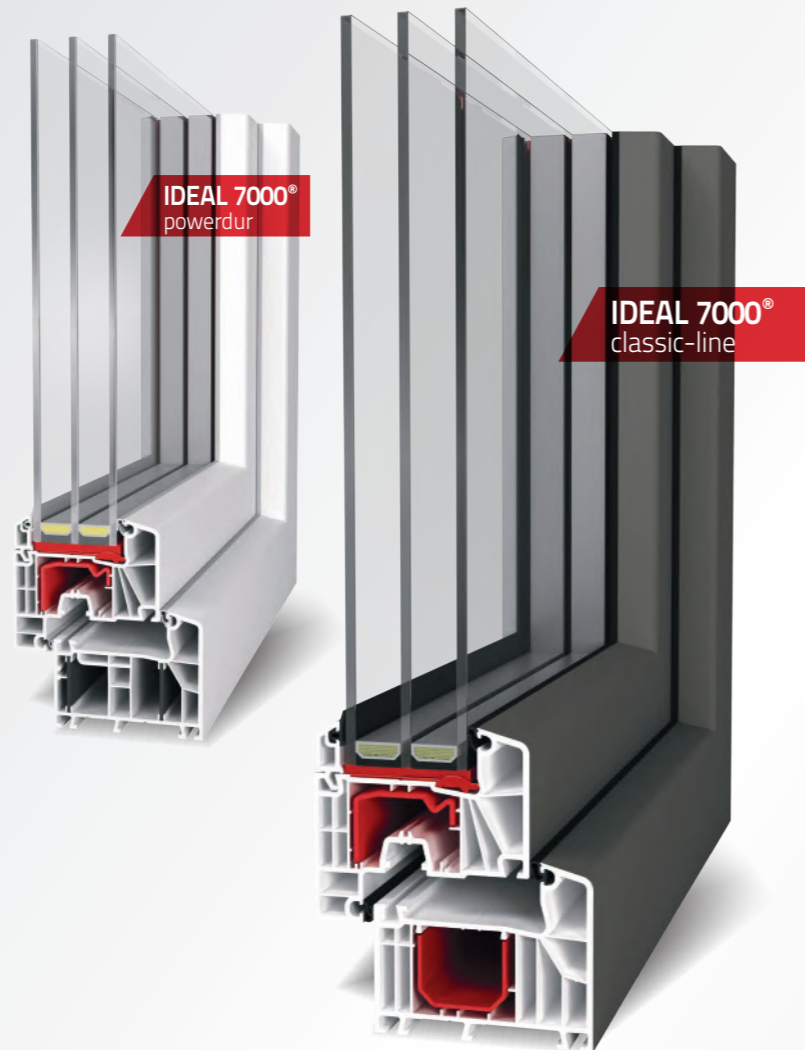


ATMOSPHERE AND COSINESS

IDEAL 7000[®]

profile depth 85 mm

- Uf value = 1.0 - 1.1 W/m²K
- backstop gasket system with two sealing levels
- glazing thickness up to 51 mm
- classical sash design (classic-line recessed)
- tested burglar resistance class RC2
- concealed drainage is possible
- excellent sound insulation up to noise insulation class IV
- available in numerous decor variations
- available with aluskin[®] aluminium shells



OPTIMAL THERMAL PARAMETERS

Intertec 85[®]

profile depth 85 mm

- Uf value = 1.0 W/m²K
- glazing thickness up to 51 mm
- classical sash design (classic-line recessed)
- Special middle insulating fin ensures increased protection against wind, rain and better acoustic insulation
- Innovative sash construction allows traditional glazing as well as application of aluplast bonding inside technology
- Slim sash-frame combination featuring 115 mm width for even more light in the interior of the house
- Greater durability of the fittings, operating in the dry chamber, created by the middle insulating fin
- available in numerous decor variations



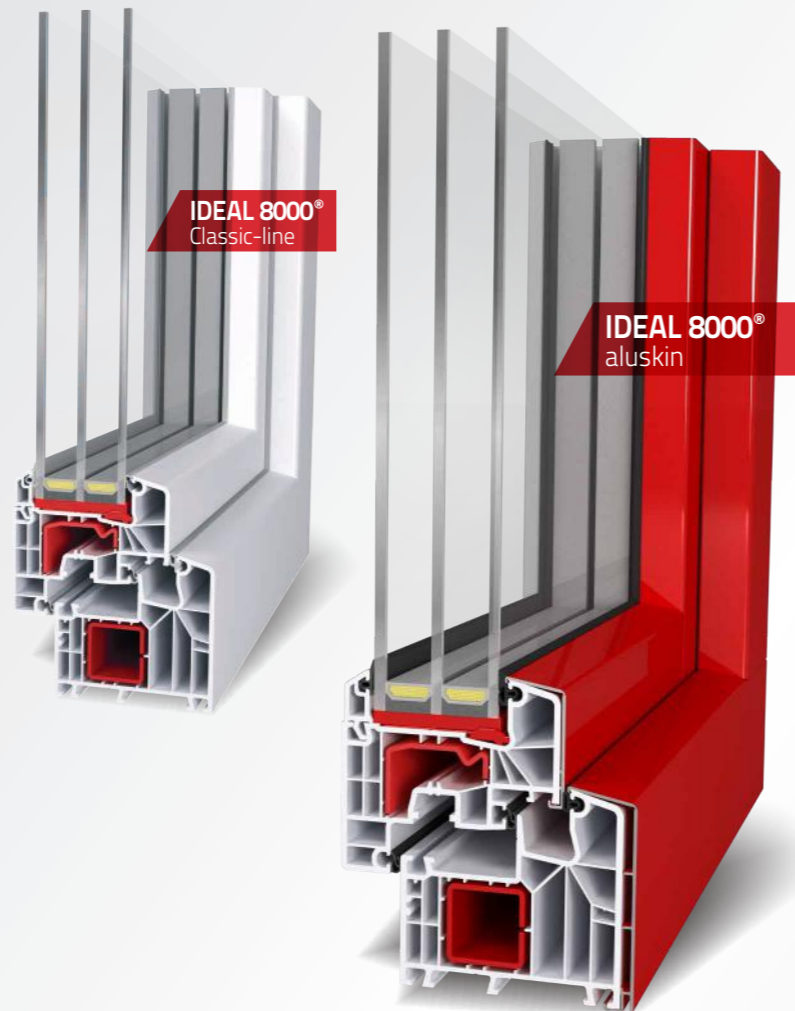


BEST THERMAL PARAMETERS AND SOOTHING SILENCE

IDEAL 8000®

profile depth 85 mm

- Uf value up to 1.0 W/m²K possible
- centre gasket system with three sealing levels for increased burglar resistance
- glazing thickness in recessed sash up to 51 mm
- glazing thickness in semi-recessed sash up to 59 mm
- design variety in the sash (classic-line recessed | classic-line semi-recessed | round-line recessed)
- tested burglar resistance class RC2
- concealed drainage is possible
- excellent sound insulation up to noise insulation class IV
- available in numerous decor variations
- available with aluskin® aluminium shells

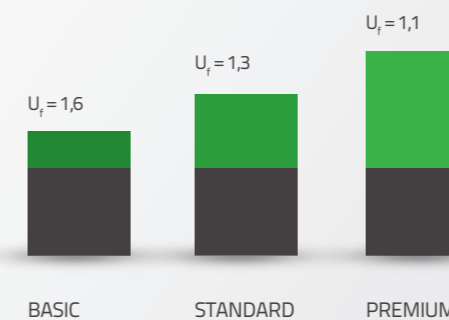


1 SYSTEM - 3 PRODUCTS / BASIC, STANDARD, PREMIUM

Lift & Slide door

profile depth 85 mm

- Improved thermal characteristic: possible Uf value of 0,95 W/m²K
- Threshold and guide rails in aluminum or fiberglass version (depending on the module)
- Glazing and panel thickness up to 51 mm; optimized for triple and function glazing
- Integrated seal: increases process reliability and the quality of the door
- Few components for a flexible and fast production
- Simplified mounting of aluskin® aluminium skins
- Available in numerous decor finishes



HST 85mm
premium variant
with Alu-Skin



SAFE FROM INSIDE AND OUTSIDE

Entrance door 85 mm

- Outstanding thermal insulation (Uf value 1.2 W/m²K)
- large reinforcement chambers for highest stability that can optionally be foam-filled (with the technology foam inside)
- glass and panel thickness up to 51 mm possible
- fine profile design with a visible sash width of only 116 mm
- optimized sealing concept using newly developed backstop gaskets in the frame and mullion
- innovative hardware groove for locking hardware of 16 mm and 24 mm width for flat false mullions
- the backstop gasket system allows for the installation of solid security striker plates
- Main entrance doors can easily be complemented by window side elements

